



84KW Multifunction Heat Pump with Scroll Compressor and Plate Heat Exchanger for Efficient Heating and Cooling

Our Product Introduction

Basic Information

- Place of Origin: China
- Brand Name: meidibao
- Certification: CE
- Model Number: M-D84AAS
- Minimum Order Quantity: 1SET
- Price: negotiate a price
- Packaging Details: Factory standard packing
- Delivery Time: 25-30 days
- Payment Terms: T/T
- Supply Ability: 5 set one day



Product Specification

- Heat Exchanger: Plate Heat Exchanger
- Refrigerant: R134A
- Power Supply: 380V/3PH /60Hz Or 50Hz
- Compressor Type: Scroll
- Type: Multifunction
- Use: Hot Water + Room Heating/cooling
- Name: Custom Heat Pump
- Highlight: **84KW Custom Heat Pump, Custom Heat Pump Multifunction, Custom Heating Cooling Heat Pump**

for more products please visit us on airsourc-heatpump.com

84KW Custom Heat Pump Multifunction Hot Water + Room Heating / Cooling

Product Overview

The 84KW Multifunction heat pump is engineered to deliver efficient heating and cooling solutions while significantly reducing energy consumption and operational costs.

This versatile system is suitable for various applications including residential, commercial, and industrial buildings, supporting both new installations and retrofit projects. Customizable options are available to meet specific requirements such as temperature settings, airflow patterns, and timer functions.

Key Features

- High power output for large-scale heating and cooling demands
- Versatile functionality providing heating, cooling, and additional capabilities
- Energy-efficient operation to minimize consumption and costs
- Advanced control system for precise temperature regulation
- Durable construction ensuring long-term reliable performance
- Adaptable to various environmental conditions
- Efficient heat transfer and exchange capabilities
- Intelligent monitoring and fault diagnosis functions

Technical Specifications

Product	Multifunction Air Source Heat Pump
Model	M-D84AAS
Climatic Type	Normal
Power Supply	380V /60Hz
Rated Heating Capacity	84kW
Rated Power Input	22.7kW
Rated Cooling Capacity	46.5KW
Rated Cooling Power	23.2KW
Max Rated Current	52.1A
Refrigerant	R134A/2800g×6
Working Temperature	0-43
Water Pipe Size	2.5"
Noise	≤78dB(A)
Product Dimension	2000×1500×2000mm
Net Weight	850kg

Heating Test Conditions: Ambient Dry/Wet Bulb Temp: 20 /15 ; Water Inlet/Outlet Temp: 15 /55

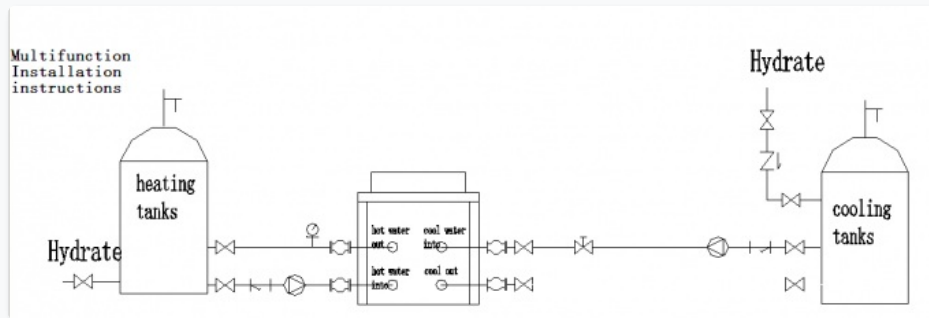
Cooling Test Conditions: Ambient Dry/Wet Bulb Temp: 35 /24 ; Water Inlet/Outlet Temp: 12 /7

Manufacturing Excellence

Meidibao operates with a comprehensive R&D center and production line, specializing in the manufacturing and supply of air source heat pumps, water/ground source heat pumps, and related thermal solutions.

Our dedicated professional team in engineering, production, management, and marketing provides complete support from project consultation and product design through sampling, production, quality control, technical support, and after-sales service.


Plate Heat Exchanger



 **Foshan Meidebao Intelligent Electrical Appliances Co., Ltd**

 8613534489875

 info@meidibao.com

 airsource-heatingpump.com

No9, Guangming North Road, Jiangyi, Leliu Town, Shunde District, Foshan City Guangdong Province, China